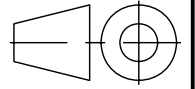
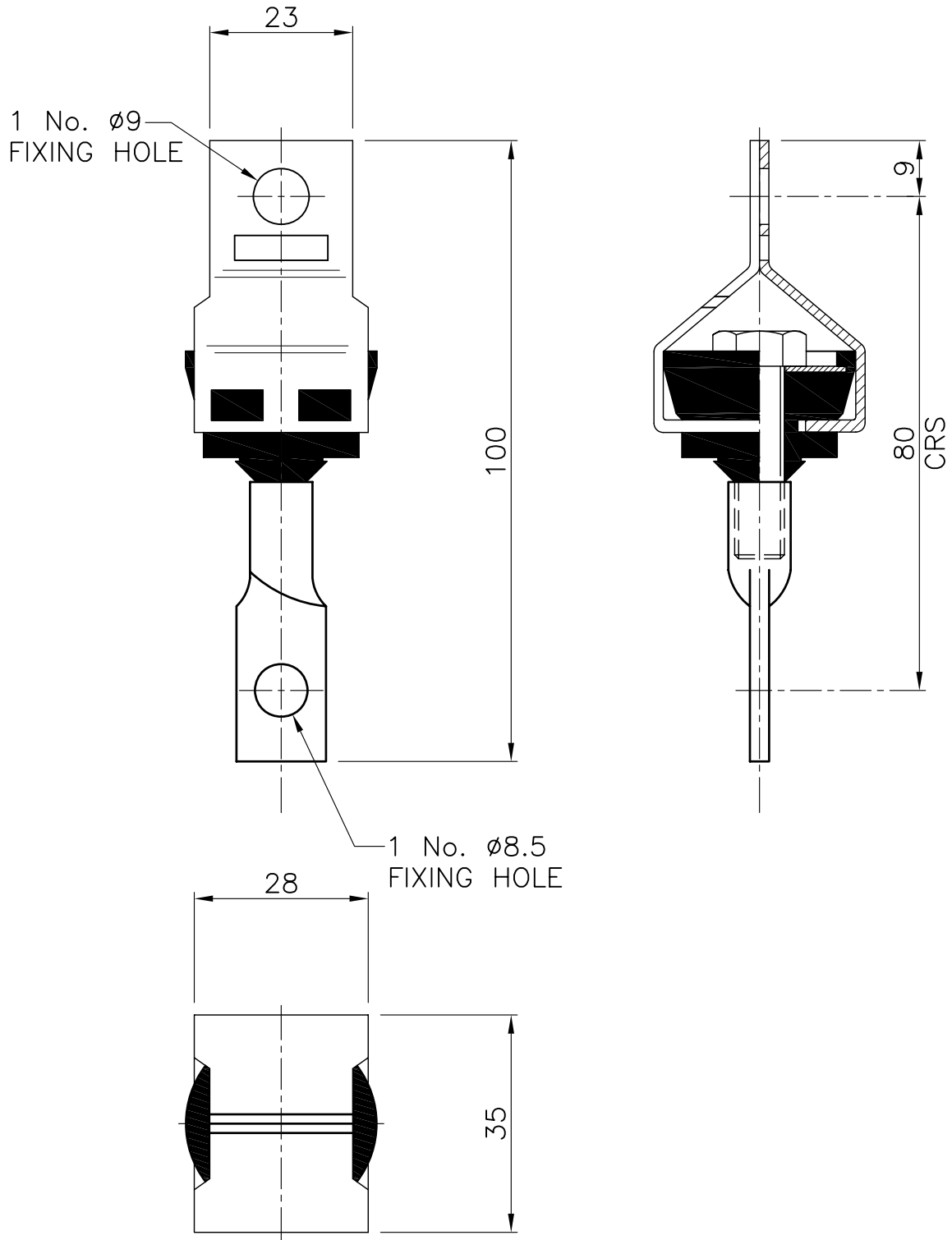


DIMENSIONS IN MILLIMETRES (mm) UNLESS OTHERWISE STATED
 TOLERANCES EXCEPT WHERE OTHERWISE STATED $\pm 0.25\text{mm}$
 NON-CONTROLLED UNLESS STAMPED OTHERWISE.


First angle
 projection



**GENERAL ARRANGEMENT OF ACH/20/SF
 ACOUSTIC CEILING HANGER**



FOR GENERAL DETAILS SEE CHRISTIE & GREY LEAFLET PL023.
 FOR INSTALLATION INSTRUCTIONS SEE CHRISTIE & GREY
 DATA SHEET DS 029.

Drawing No. S142	A	B	C	D	E	Job No. —	 Engineers in vibration, noise and shock control. Christie & Grey Morley Road, Tonbridge, Kent, TN9 1RA England
	22/11/99	06/12/00	02/11/05	22/05/06	20/04/11	Scale 1:1	
Change note No.	328	138	064	047	047	Drawn D.H.	
						Checked A.R.B.	

60 FICQ
 1 555
 3