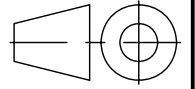


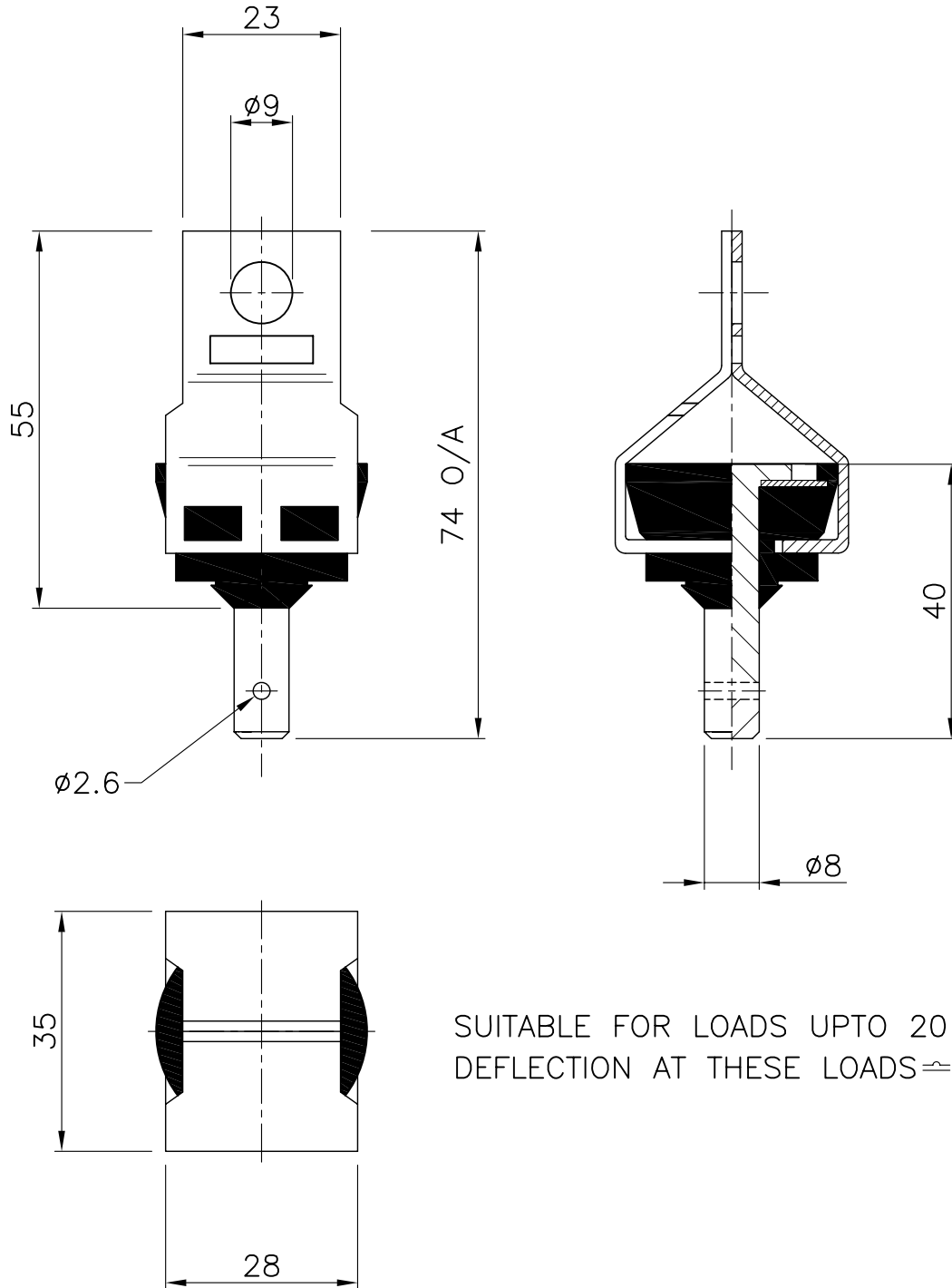
DIMENSIONS IN MILLIMETRES (mm) UNLESS OTHERWISE STATED
 TOLERANCES EXCEPT WHERE OTHERWISE STATED $\pm 0.25\text{mm}$
 NON-CONTROLLED UNLESS STAMPED OTHERWISE.

First angle
 projection



Q
C
F
6
0
I
S
S
U
E
3

**GENERAL ARRANGEMENT OF ACH20
 ACOUSTIC CEILING HANGER (CABLE)**



SUITABLE FOR LOADS UPTO 20 kg
 DEFLECTION AT THESE LOADS $\approx 2\text{mm}$

FOR GENERAL DETAILS SEE CHRISTIE & GREY LEAFLET PL023.
 FOR INSTALLATION INSTRUCTIONS SEE CHRISTIE & GREY
 DATA SHEET DS 029.

Drawing No. S141	A	B	C	D	Job No.	—
	16/11/99	06/12/00	02/11/05	20/04/11	Scale	1:1
Change note No.		327	138	047	Drawn	D.H
					Checked	A.R.B



Engineers in vibration, noise
 and shock control.
 Christie & Grey
 Morley Road, Tonbridge,
 Kent, TN9 1RA England