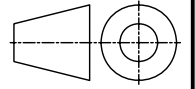


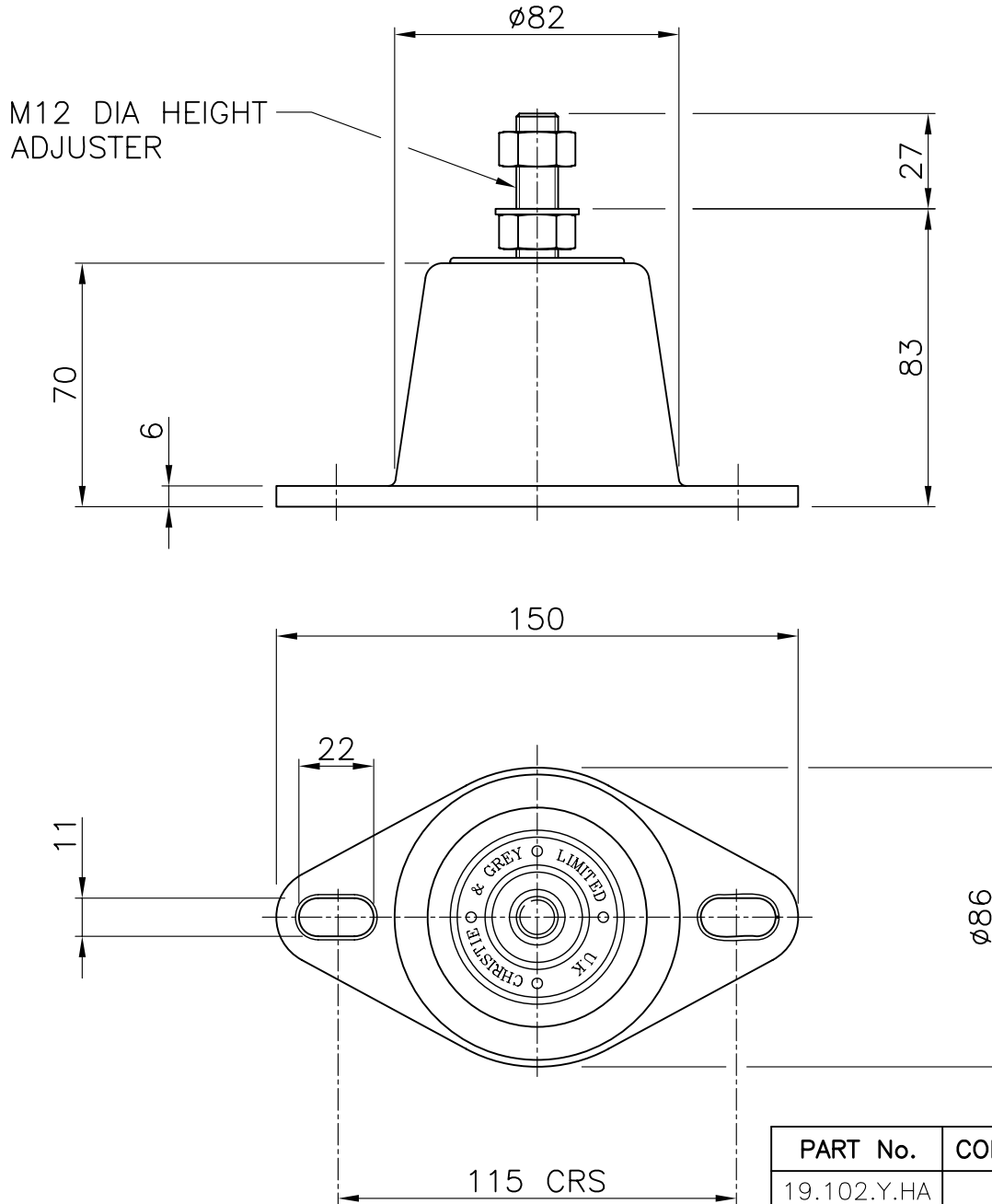
DIMENSIONS IN MILLIMETRES (mm) UNLESS OTHERWISE STATED
 TOLERANCES EXCEPT WHERE OTHERWISE STATED $\pm 0.25\text{mm}$
 NON-CONTROLLED UNLESS STAMPED OTHERWISE.

First angle
 projection




Q
 6
 0
 1
 S
 S
 U
 E
 3

GENERAL ARRANGEMENT OF 19.102.Y.HA – 19.102.R.HA RUBBER TURRET MOUNTINGS



PART No.	COLOUR CODE
19.102.Y.HA	YELLOW
19.102.B.HA	BLUE
19.102.R.HA	RED

FOR GENERAL DETAILS SEE CHRISTIE & GREY LEAFLET PLO09.
 FOR INSTALLATION INSTRUCTIONS SEE CHRISTIE & GREY
 DATA SHEET DS 010.

Drawing No. S 159	A	B	C	D	Job No. —	Scale 1 : 2	 Engineers in vibration, noise and shock control. Christie & Grey Morley Road, Tonbridge, Kent, TN9 1RA England
	29/11/99	02/08/04	02/11/05	20/04/11			
Change note No.		172	138	047	Checked A.R.B		