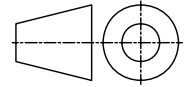


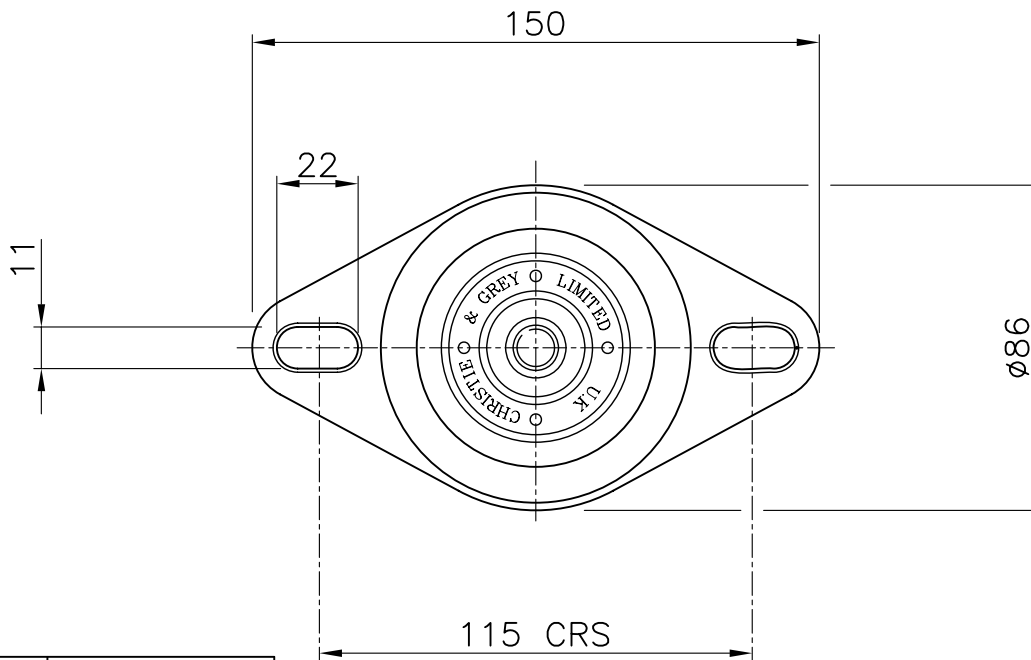
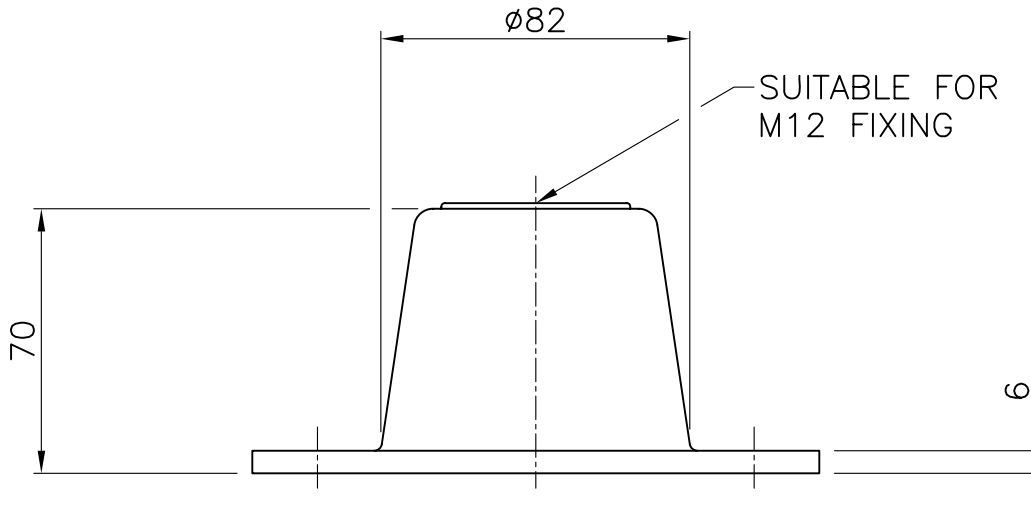
DIMENSIONS IN MILLIMETRES (mm) UNLESS OTHERWISE STATED
 TOLERANCES EXCEPT WHERE OTHERWISE STATED $\pm 0.25\text{mm}$
 NON-CONTROLLED UNLESS STAMPED OTHERWISE.

First angle
 projection



Q C C F 6 0 1 S S U E 3

GENERAL ARRANGEMENT OF 19.102.Y – 19.102.R RUBBER TURRET MOUNTINGS



PART No.	COLOUR CODE
19.102.Y	YELLOW
19.102.B	BLUE
19.102.R	RED

FOR GENERAL DETAILS SEE CHRISTIE & GREY LEAFLET PL009
 FOR INSTALLATION INSTRUCTIONS SEE CHRISTIE & GREY
 DATA SHEET DS 010.

Drawing No. S169	A	B	C	D	Job No.	Engineers in vibration, noise and shock control. Christie & Grey Morley Road, Tonbridge, Kent, TN9 1RA England
	23/10/00	02/11/05	07/01/08	20/04/11	Scale 1:2	
Change note No.	138	003	047	Checked A.R.B.	Drawn D.H.	