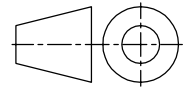


DIMENSIONS IN MILLIMETRES (mm) UNLESS OTHERWISE STATED
 TOLERANCES EXCEPT WHERE OTHERWISE STATED $\pm 0.25\text{mm}$
 NON-CONTROLLED UNLESS STAMPED OTHERWISE.

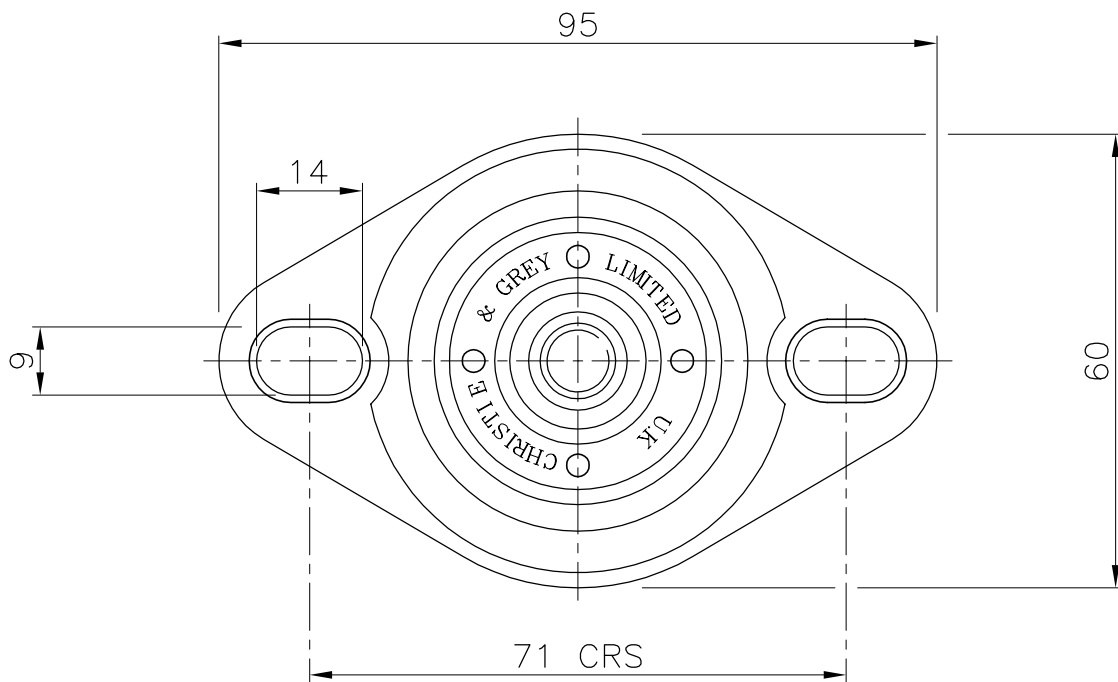
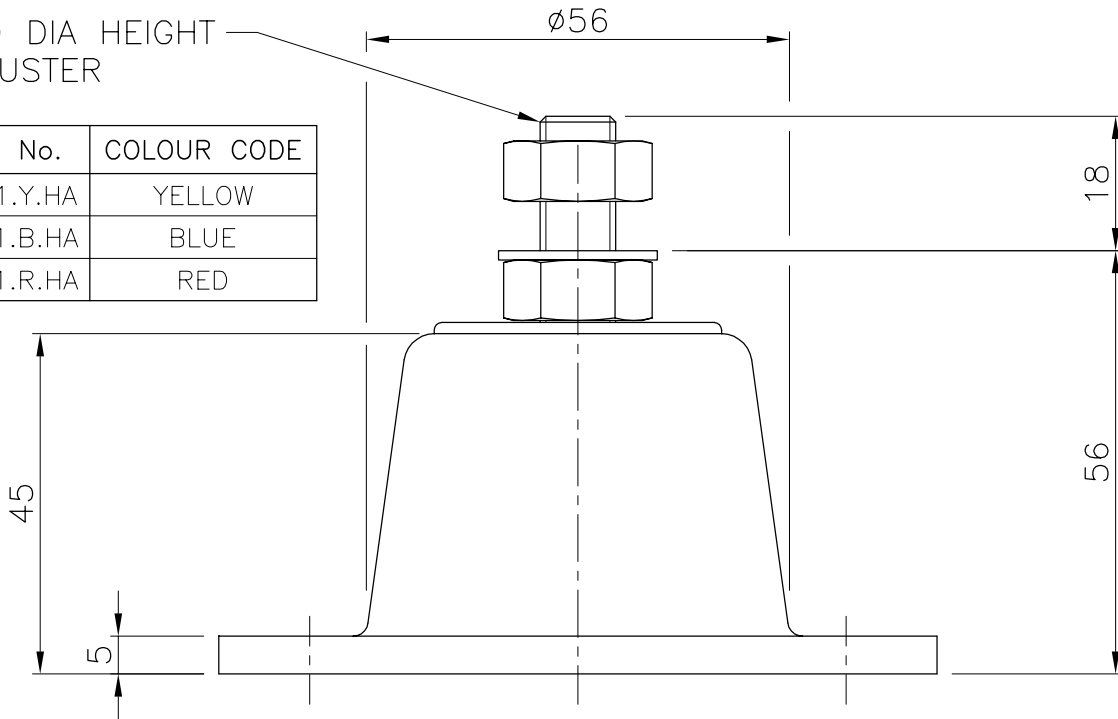
First angle
 projection




GENERAL ARRANGEMENT OF 19.101.Y.HA – 19.101.R.HA RUBBER TURRET MOUNTINGS

M10 DIA HEIGHT
 ADJUSTER

PART No.	COLOUR CODE
19.101.Y.HA	YELLOW
19.101.B.HA	BLUE
19.101.R.HA	RED



FOR GENERAL DETAILS SEE CHRISTIE & GREY LEAFLET PL009.
 FOR INSTALLATION INSTRUCTIONS SEE CHRISTIE & GREY
 DATA SHEET DS 010 & DS COSHH 0001 RESPECTIVELY.

Drawing No. S 158	A	B	C	Job No. —	Scale 1 : 1	 Engineers in vibration, noise and shock control. Christie & Grey Morley Road, Tonbridge, Kent, TN9 1RA England
	29/11/99	02/08/04	02/11/05			
Change note No.		172	138	Checked A.R.B.		

15556001 Q