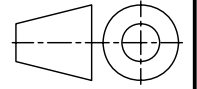


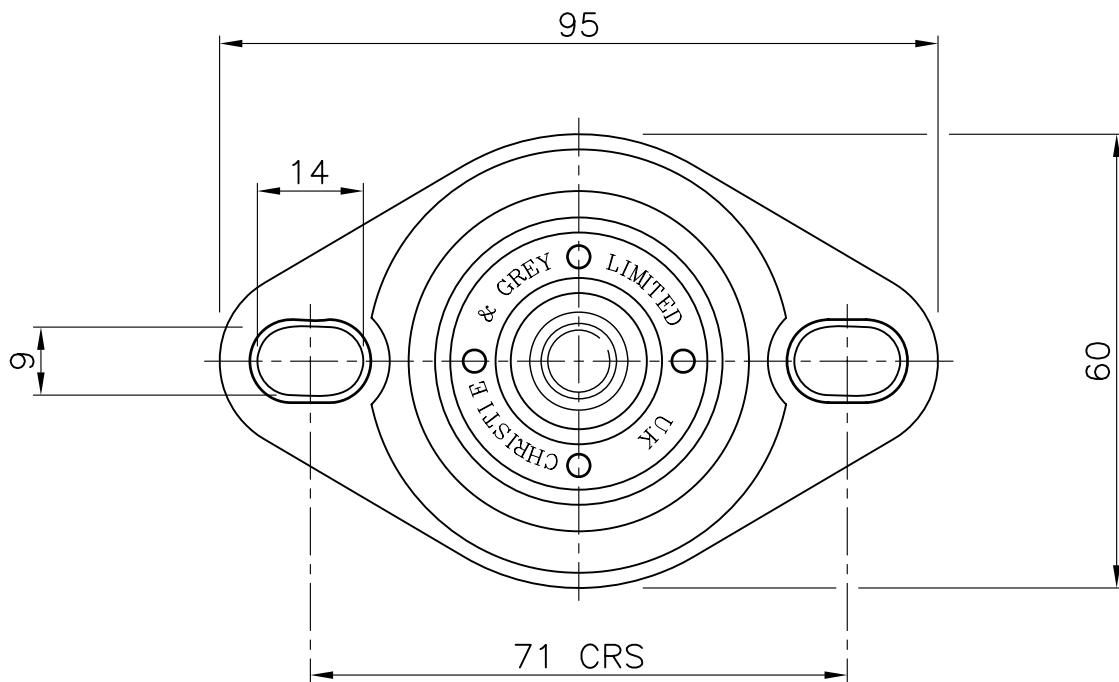
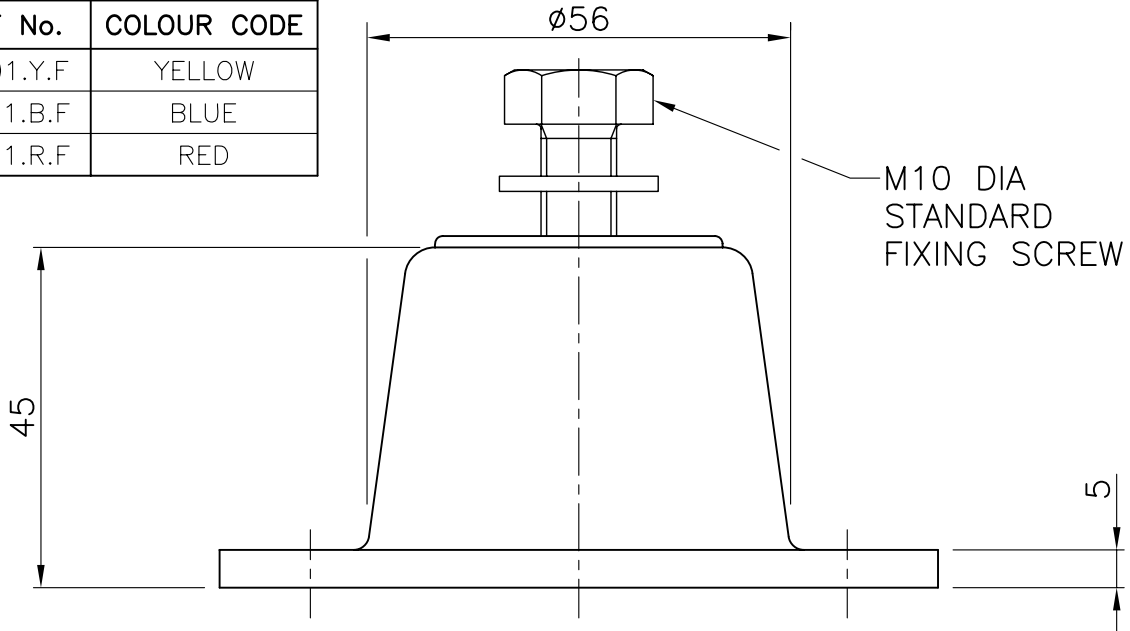
DIMENSIONS IN MILLIMETRES (mm) UNLESS OTHERWISE STATED  
 TOLERANCES EXCEPT WHERE OTHERWISE STATED  $\pm 0.25\text{mm}$   
 NON-CONTROLLED UNLESS STAMPED OTHERWISE.

First angle  
 projection




## GENERAL ARRANGEMENT OF 19.101.Y.F – 19.101.R.F RUBBER TURRET MOUNTINGS

PART No.	COLOUR CODE
19.101.Y.F	YELLOW
19.101.B.F	BLUE
19.101.R.F	RED



FOR GENERAL DETAILS SEE CHRISTIE & GREY LEAFLET PL009.  
 FOR INSTALLATION INSTRUCTIONS SEE CHRISTIE & GREY  
 DATA SHEET DS 010.

Drawing No. S 123	A	B	C	D	Job No. –	 Engineers in vibration, noise and shock control. Christie & Grey Morley Road, Tonbridge, Kent, TN9 1RA England
	08/10/99	02/08/04	02/11/05	20/04/11	Scale 1 : 1	
Change note No.	172	138	047	Checked A.R.B		

QFC601-SSUE3