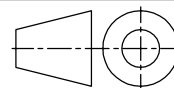


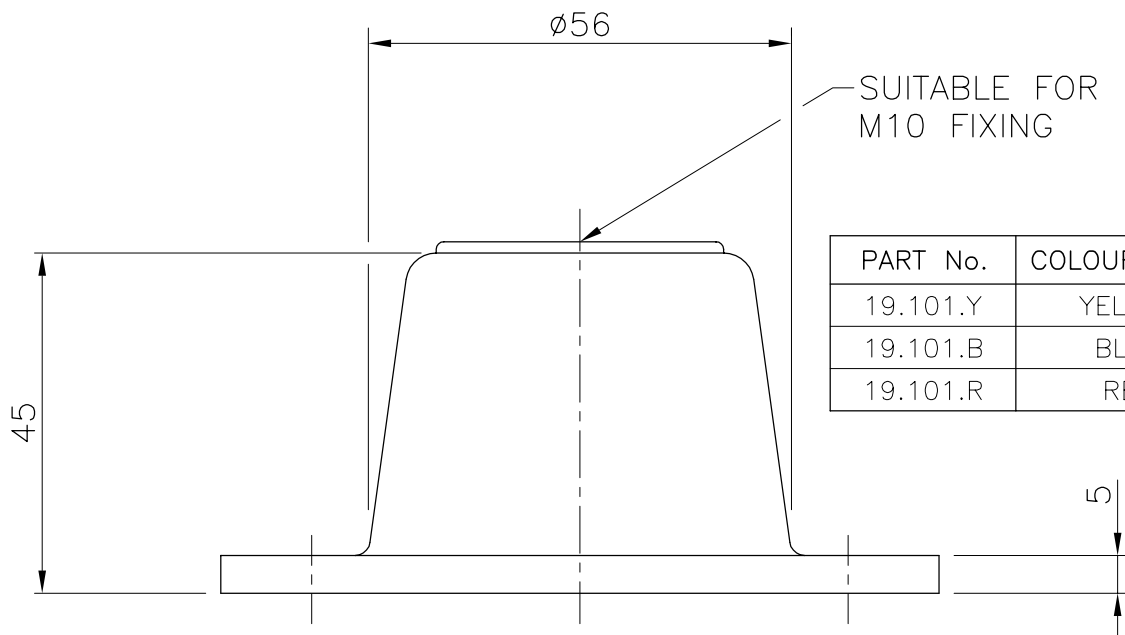
DIMENSIONS IN MILLIMETRES (mm) UNLESS OTHERWISE STATED  
 TOLERANCES EXCEPT WHERE OTHERWISE STATED  $\pm 0.25\text{mm}$   
 NON-CONTROLLED UNLESS STAMPED OTHERWISE.

First angle  
 projection

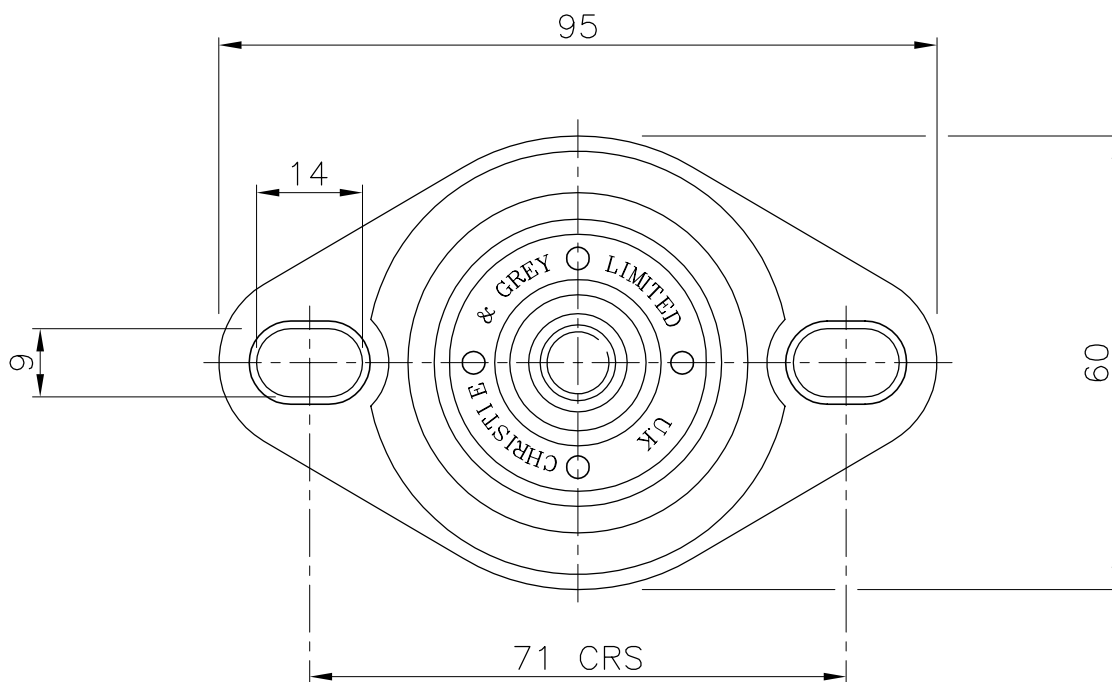


Q  
F  
6  
0  
I  
S  
S  
U  
E  
3


## GENERAL ARRANGEMENT OF 19.101.Y – 19.101.R RUBBER TURRET MOUNTINGS



PART No.	COLOUR CODE
19.101.Y	YELLOW
19.101.B	BLUE
19.101.R	RED



FOR GENERAL DETAILS SEE CHRISTIE & GREY LEAFLET PL009  
 FOR INSTALLATION INSTRUCTIONS SEE CHRISTIE & GREY  
 DATA SHEET DS 010 & DS COSHH 0001 RESPECTIVELY.

Drawing No. S168	A	B	Job No.	 Engineers in vibration, noise and shock control. Christie & Grey Morley Road, Tonbridge, Kent, TN9 1RA England
	23/10/00	02/11/05		
Change note No.	138		Drawn D.H	
			Checked P.J.B	