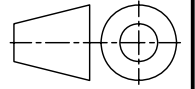


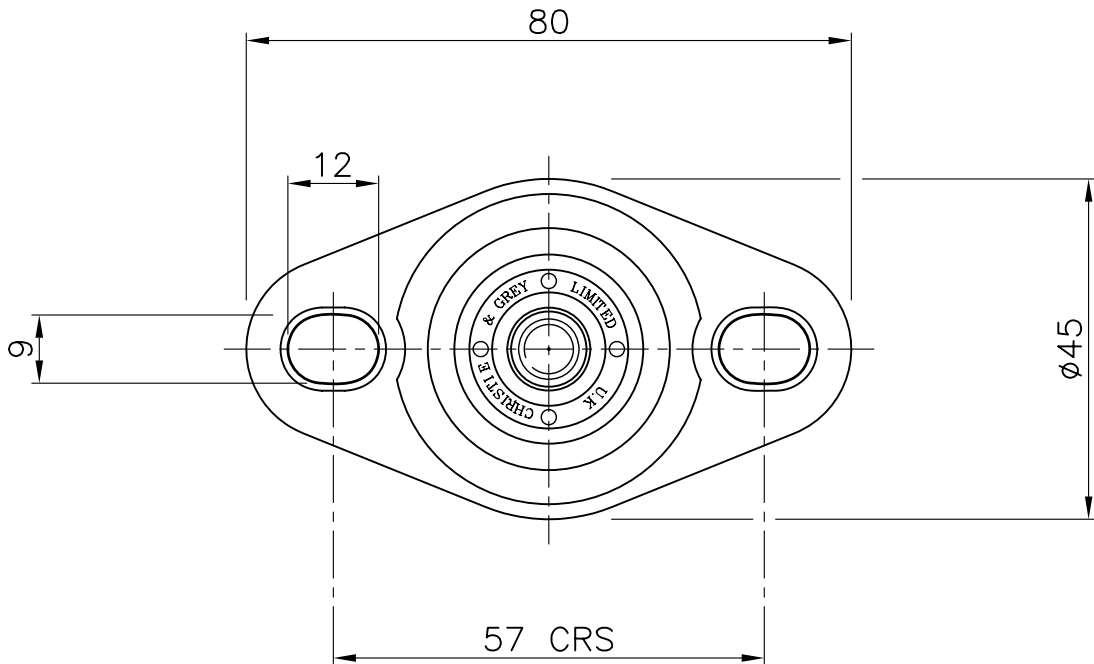
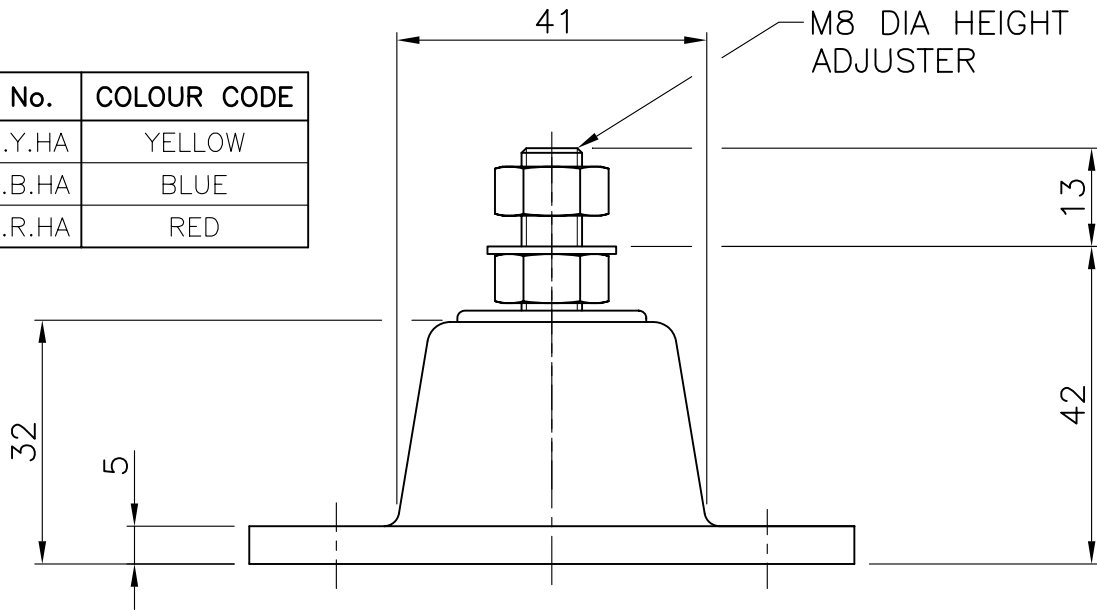
DIMENSIONS IN MILLIMETRES (mm) UNLESS OTHERWISE STATED
 TOLERANCES EXCEPT WHERE OTHERWISE STATED $\pm 0.25\text{mm}$
 NON-CONTROLLED UNLESS STAMPED OTHERWISE.

First angle
 projection



GENERAL ARRANGEMENT OF 19.100.Y.HA – 19.100.R.HA RUBBER TURRET MOUNTINGS

PART No.	COLOUR CODE
19.100.Y.HA	YELLOW
19.100.B.HA	BLUE
19.100.R.HA	RED



FOR GENERAL DETAILS SEE CHRISTIE & GREY LEAFLET PL009.
 FOR INSTALLATION INSTRUCTIONS SEE CHRISTIE & GREY
 DATA SHEET DS 010.

Drawing No. S 157	A	B	C	D	Job No. –	Engineers in vibration, noise and shock control. Christie & Grey Morley Road, Tonbridge, Kent, TN9 1RA England
	29/11/99	02/08/04	02/11/05	20/04/11	Scale 1 : 1	
Change note No.	172	138	047	Checked A.R.B		

19.100.Y.HA – 19.100.R.HA
 RUBBER TURRET MOUNTINGS
 3