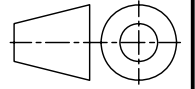
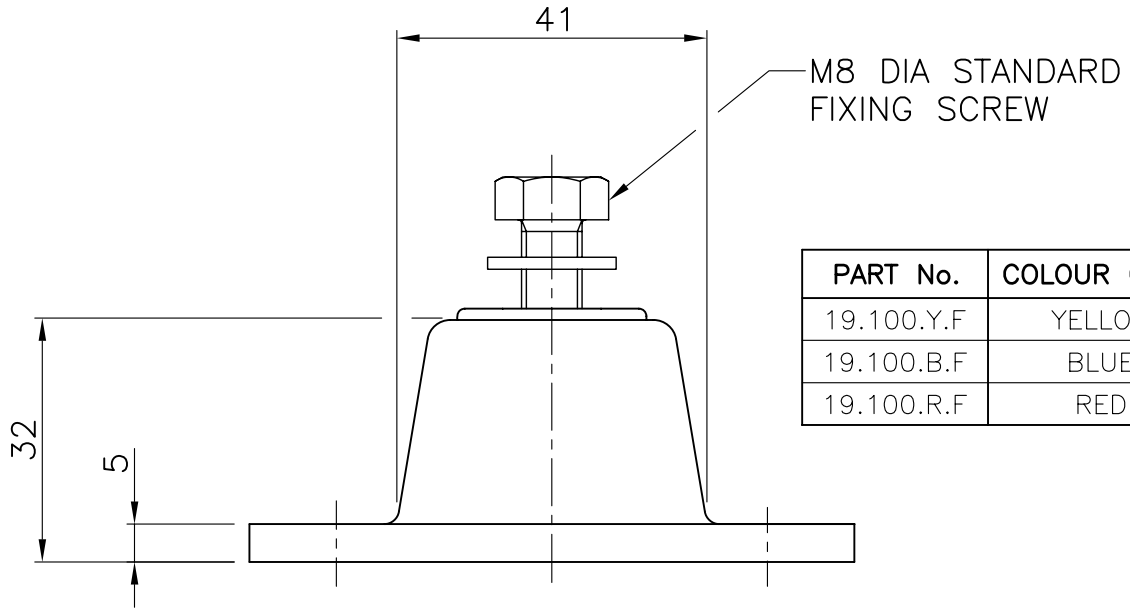


DIMENSIONS IN MILLIMETRES (mm) UNLESS OTHERWISE STATED
 TOLERANCES EXCEPT WHERE OTHERWISE STATED $\pm 0.25\text{mm}$
 NON-CONTROLLED UNLESS STAMPED OTHERWISE.

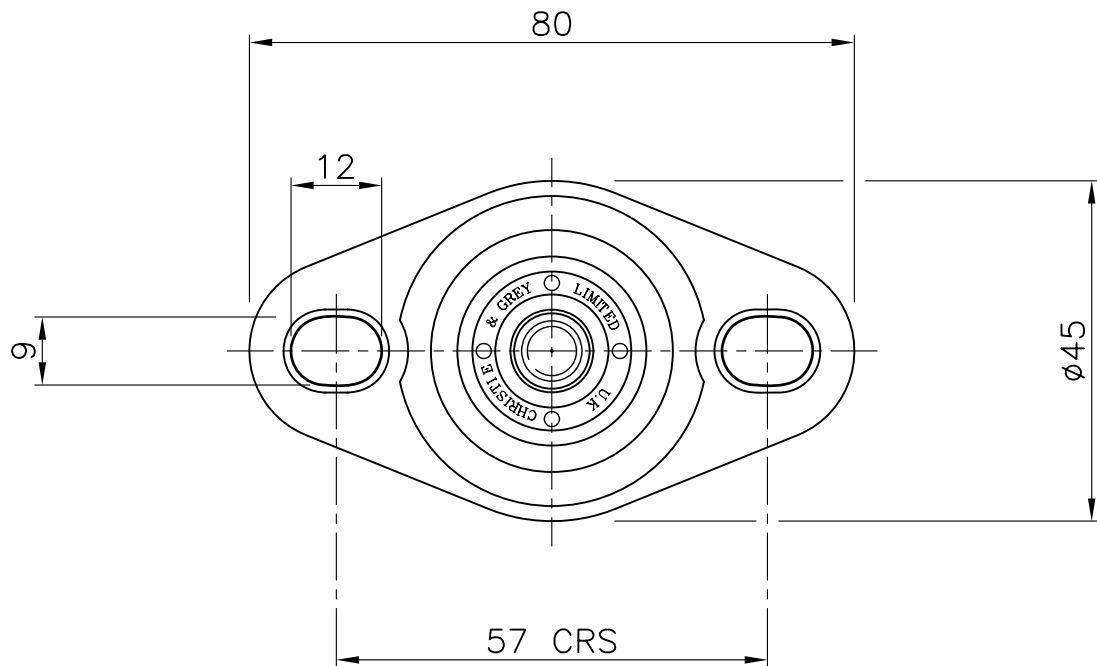
First angle
 projection



GENERAL ARRANGEMENT OF 19.100.Y.F – 19.100.R.F RUBBER TURRET MOUNTINGS



PART No.	COLOUR CODE
19.100.Y.F	YELLOW
19.100.B.F	BLUE
19.100.R.F	RED



FOR GENERAL DETAILS SEE CHRISTIE & GREY LEAFLET PLO09.
 FOR INSTALLATION INSTRUCTIONS SEE CHRISTIE & GREY
 DATA SHEET DS 010.

Drawing No. S 122	A	B	C	D	Job No. –	Christie & Grey Engineers in vibration, noise and shock control. Christie & Grey Morley Road, Tonbridge, Kent, TN9 1RA England
	08/10/99	02/08/04	02/11/05	20/04/11	Scale 1 : 1	
Change note No.	172	138	047	Checked A.R.B		

Q60
 ISSUE
 3