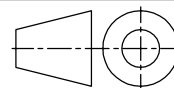


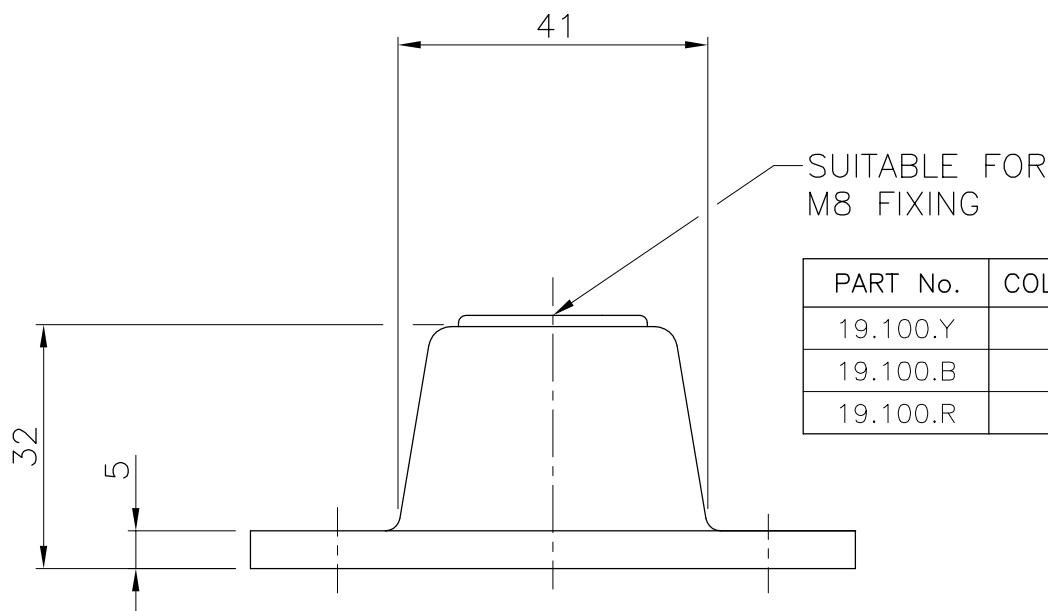
DIMENSIONS IN MILLIMETRES (mm) UNLESS OTHERWISE STATED
 TOLERANCES EXCEPT WHERE OTHERWISE STATED $\pm 0.25\text{mm}$
 NON-CONTROLLED UNLESS STAMPED OTHERWISE.

First angle
 projection

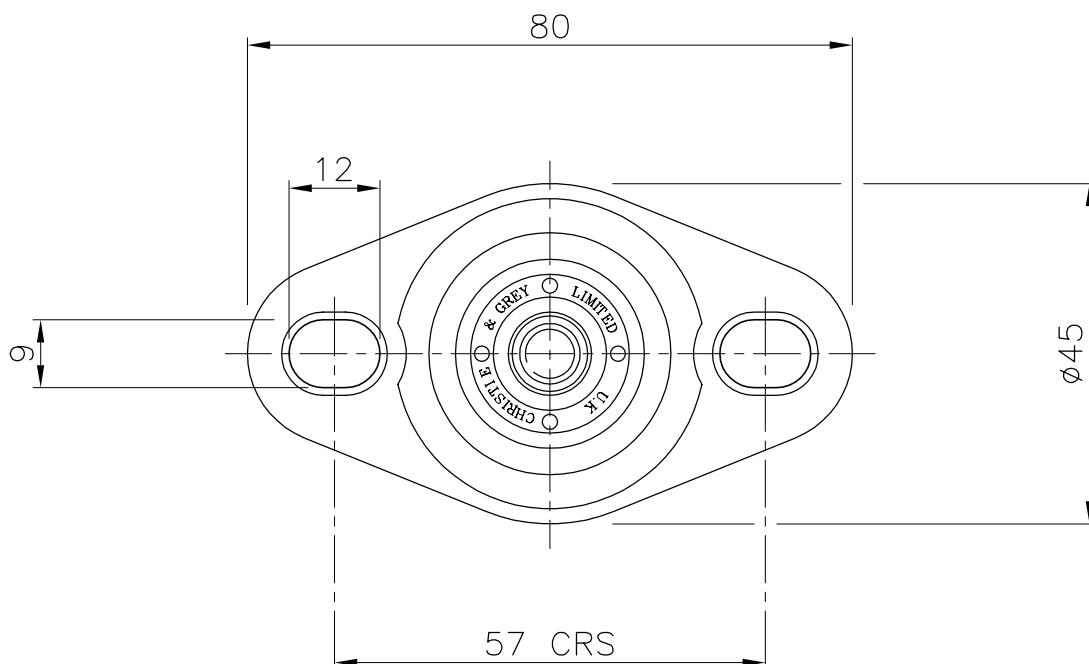


19.100.Y. - 19.100.R.
 RUBBER TURRET MOUNTINGS
 3


GENERAL ARRANGEMENT OF 19.100.Y. – 19.100.R. RUBBER TURRET MOUNTINGS



PART No.	COLOUR CODE
19.100.Y	YELLOW
19.100.B	BLUE
19.100.R	RED



FOR GENERAL DETAILS SEE CHRISTIE & GREY LEAFLET PL009.
 FOR INSTALLATION INSTRUCTIONS SEE CHRISTIE & GREY
 DATA SHEET DS 010 & DS COSHH 0001 RESPECTIVELY.

Drawing No. S167	A	B	Job No.	 Engineers in vibration, noise and shock control. Christie & Grey Morley Road, Tonbridge, Kent, TN9 1RA England
	23/10/00	02/11/05		
Change note No.	138		Drawn D.H.	
			Checked P.J.B.	