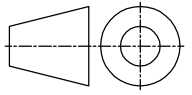
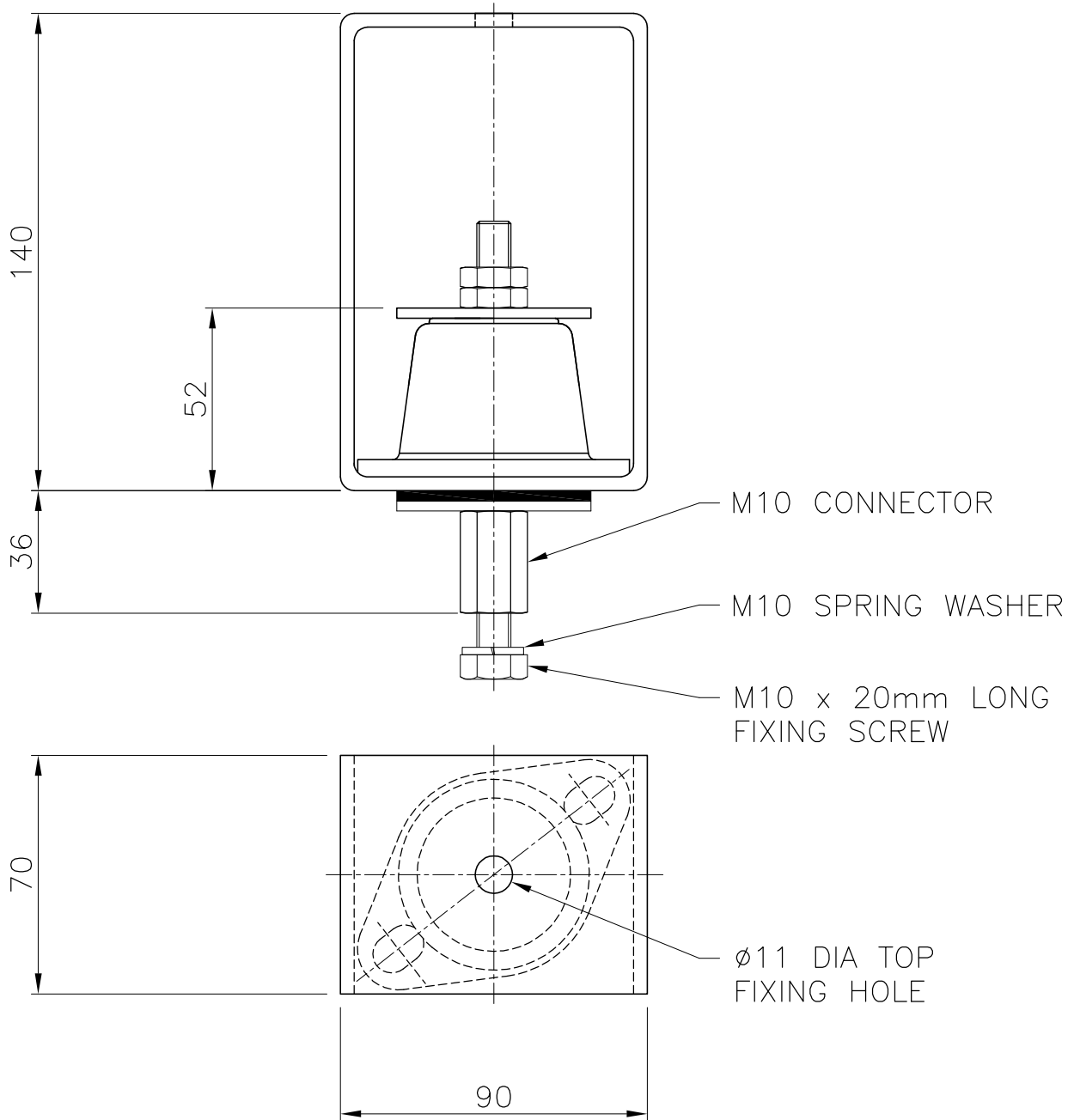


DIMENSIONS IN MILLIMETRES (mm) UNLESS OTHERWISE STATED
 TOLERANCES EXCEPT WHERE OTHERWISE STATED $\pm 0.25\text{mm}$
 NON-CONTROLLED UNLESS STAMPED OTHERWISE.

First angle
 projection



GENERAL ARRANGEMENT OF RH110.M.F – RH280.M.F
MARINE RUBBER HANGERS WITH FIXING



Part No.	Rated Load (kg)	Deflection (mm)	Colour Code
RH110.M.F	110	8	YELLOW
RH180.M.F	180	8	BLUE
RH280.M.F	280	8	RED

Drawing No.
 M50670

A
 20/07/04

Change note No.

Job No. –
 Scale 1 : 2
 Drawn M.W.
 Checked P.J.B



Engineers in vibration, noise
 and shock control.
 Christie & Grey
 Morley Road, Tonbridge,
 Kent, TN9 1RA England