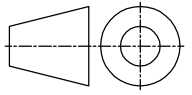
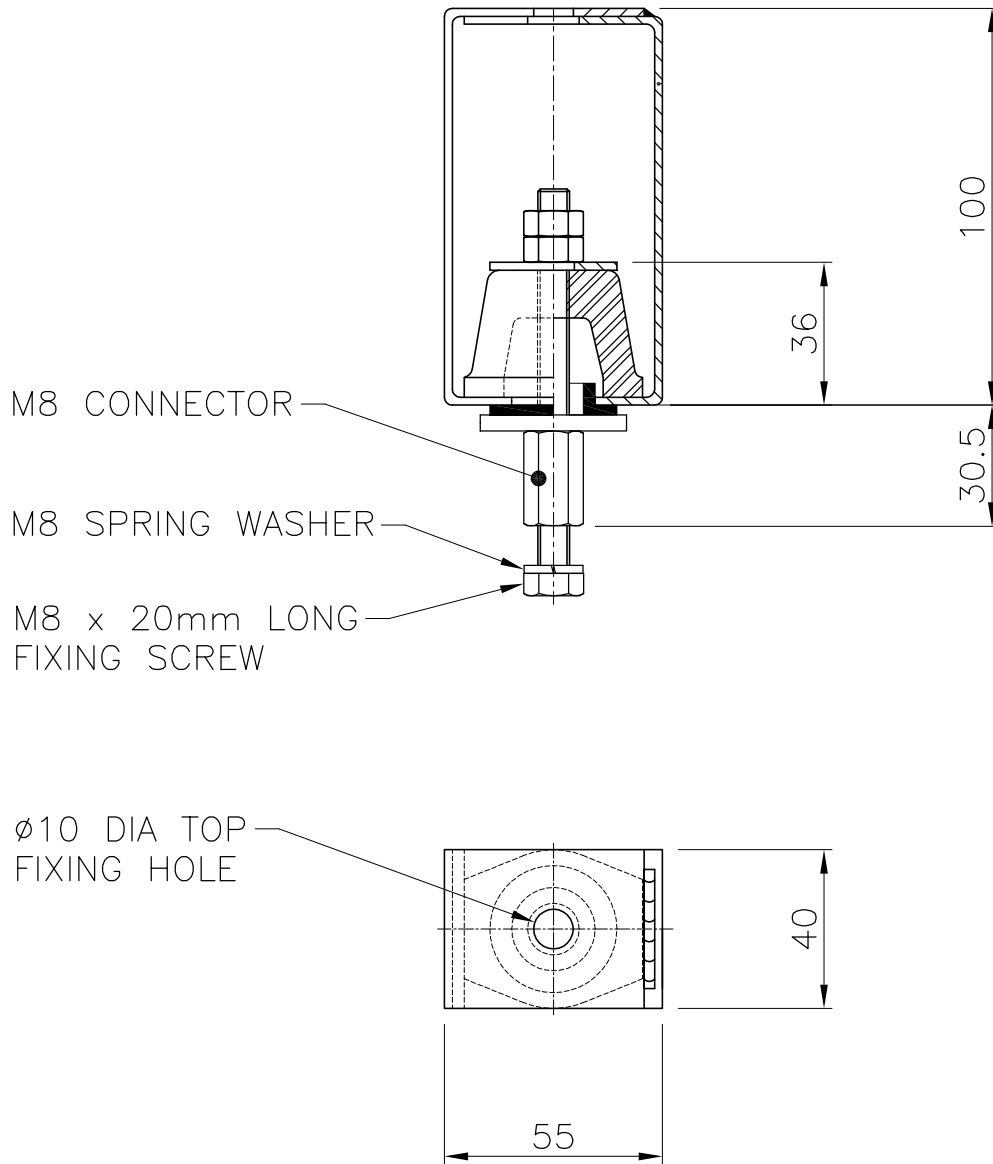


DIMENSIONS IN MILLIMETRES (mm) UNLESS OTHERWISE STATED
 TOLERANCES EXCEPT WHERE OTHERWISE STATED $\pm 0.25\text{mm}$
 NON-CONTROLLED UNLESS STAMPED OTHERWISE.

First angle
 projection



GENERAL ARRANGEMENT OF RH28.M.F – RH80.M.F
MARINE RUBBER HANGERS WITH FIXING



Part No.	Rated Load (kg)	Deflection (mm)	Colour Code
RH28.M.F	28	6	YELLOW
RH50.M.F	50	6	BLUE
RH80.M.F	80	6	RED

Drawing No.
 M50668

A
 20/07/04

Change note No.

Job No. –

Scale 1 : 2

Drawn M.W.

Checked P.J.B.



Engineers in vibration, noise
 and shock control.
 Christie & Grey
 Morley Road, Tonbridge,
 Kent, TN9 1RA England