

PART No. ACH/50/NFS

MAX. LOAD : 50 Kg

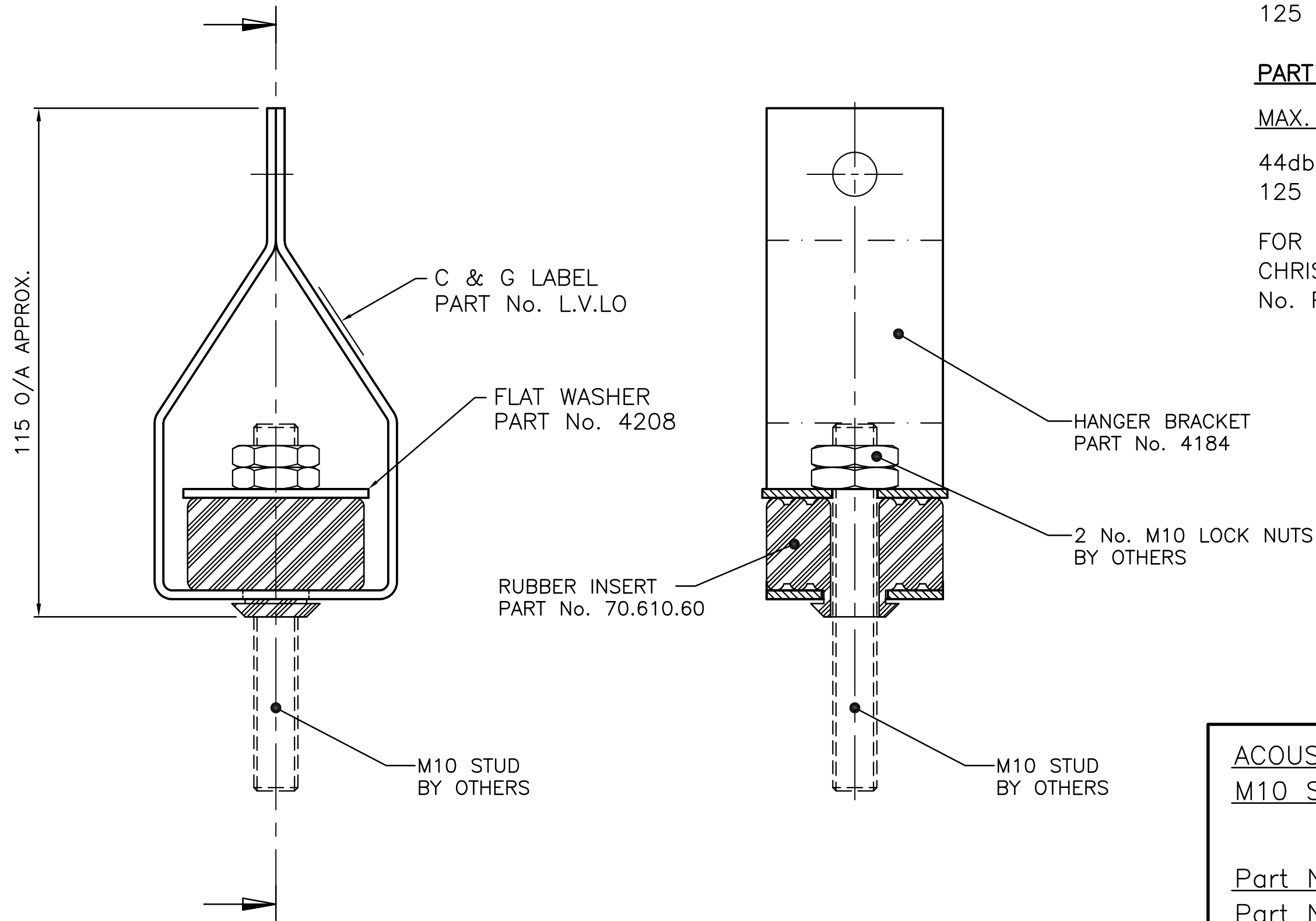
46.5db FORCE ISOLATION AT  
125 Hz (AT MAX LOAD)

PART No. ACH/100/NFS

MAX. LOAD : 100 Kg

44db FORCE ISOLATION AT  
125 Hz (AT MAX LOAD)

FOR GENERAL DETAILS SEE  
CHRISTIE & GREY LEAFLET  
No. PL023.



ACOUSTIC CEILING HANGER  
M10 STUD FIXING ASSEMBLY

Part No. ACH/50/NFS

Part No. ACH/100/NFS

DIMENSIONS IN MILLIMETRES (mm) UNLESS OTHERWISE STATED  
TOLERANCES EXCEPT WHERE OTHERWISE STATED  $\pm 0.25$  mm

Rev.	Date	Description	C/Note
B	29/05/08	Update Washer & Add ACH/50/NFS	052
A	17/07/02	Original Issue	-

NON-CONTROLLED UNLESS  
STAMPED OTHERWISE.  
DO NOT SCALE, IF IN DOUBT ASK.



Morley Road, Tonbridge,  
Kent, TN9 1RA.  
Tel : +44 (0)1732 371100  
Fax : +44 (0)1732 359666  
E-mail : sales@christiegrey.com

Job Number -	Scale 1 : 1 @ A3	Drawn D.H	Checked G.E.K
Status -		Date of Original Issue 17/07/2002	
Drawing Number <b>49386</b>			Revision <b>B</b>