

Captive Rubber Mountings and Hangers

Type CRM



A universal captive rubber mounting for supporting, hanging, anchoring and guiding pipework, particularly exhaust systems on board ship.

Designed specifically for use in high ambient temperature conditions for the control of vibration throughout the audible frequency range.

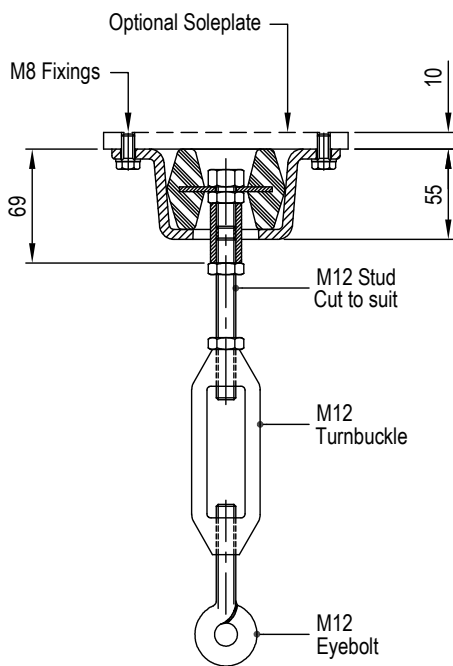
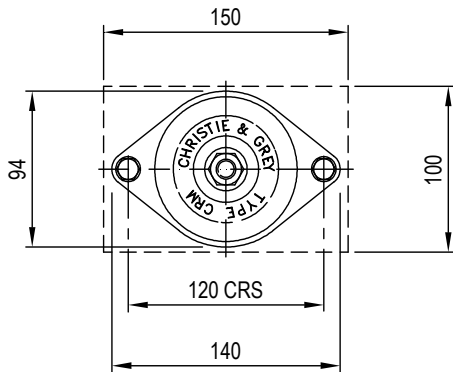
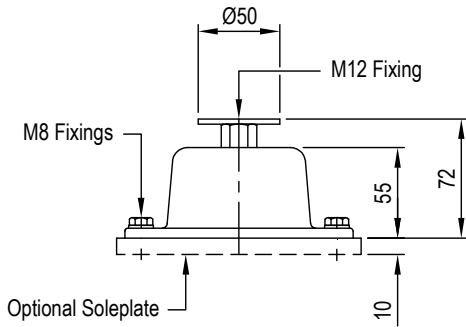
DESIGN FEATURES

- Tested at 40°C ambient with eyebolt at 400°C (300 mm drop rod and turnbuckle fitted) resulted in only 2°C temperature rise at inner rubber surface.
- Rubber insert is moulded in three variants 55, 65 and 70 IRHD (International Rubber Hardness).
- Rubber insert provides excellent high frequency attenuation performance.
- Unit remains captive and fail-safe whether used as a supporting mount or hanger.
- The CRM can be bolted to structure or supplied fitted with a sole plate to permit fixing by welding.
- Optional heat insulation pad 100 x 100 x 19 mm thick available for use with mounting.
- The hanger is supplied complete with turnbuckle and eyebolt, optional 1 m long drop rod available.
- High transverse/axial stiffness ratio ideal for use as a 'flexible anchor'.
- Capable of 15° angular misalignment.

TYPICAL APPLICATIONS

- Marine Exhaust Systems.
- Industrial Exhaust Systems.
- Ductwork and Attenuators.
- High Speed Rotating Machinery.
- Shock Mount for Control Cabinets, Instrument Racks etc.

CRM MOUNTING

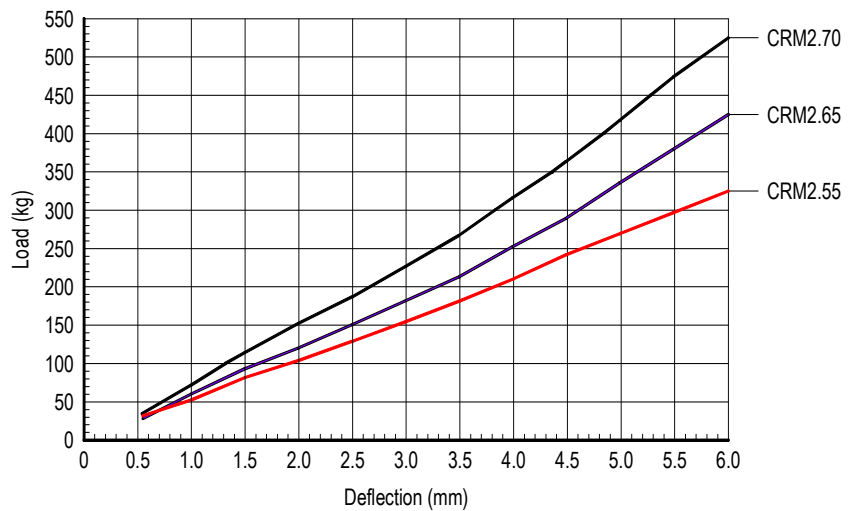


CRM HANGER

TYPE CRM MOUNTING & HANGER

PART No.		RATED LOAD (kg)	DEFLECTION AT RATED LOAD (mm)	WEIGHT (kg) MAX	
MOUNTING	HANGER			MOUNTING	HANGER
CRM2.55	CRM2.55.H	325	6	1.1	1.4
CRM2.65	CRM2.65.H	425	6		
CRM2.70	CRM2.70.H	525	6		

Load/Deflection Characteristics for CRM Captive Rubber Mounting & Hanger



Application Notes:

- We recommend that all fixing bolts used are high tensile Grade 8.8 or higher.
- The CRM hanger is supplied complete with turnbuckle and eyebolt, M12 mild steel studding can be supplied if required in 1 m lengths.
- Optional soleplate available, please specify **PT No. 4149** when ordering.

For full installation instructions please refer to our data sheet DS081.

For more detailed information and technical assistance please contact our Technical Department.

In the interests of continual development, the Company reserves the right to make modifications to these details without notice.



Christie & Grey Limited

Morley Road, Tonbridge, Kent TN9 1RA, England

Telephone : +44 (0) 1732 371100 • Fax: +44 (0) 1732 359666

E-mail : sales@christiegrey.com • web site: www.christiegrey.com

