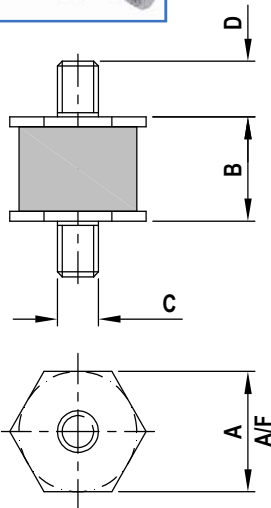
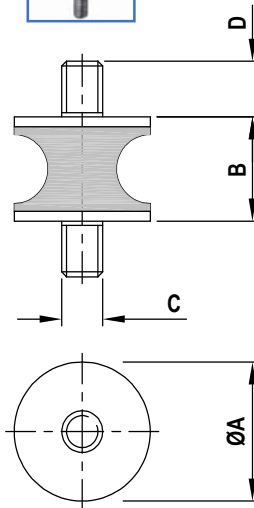


# Bobbins

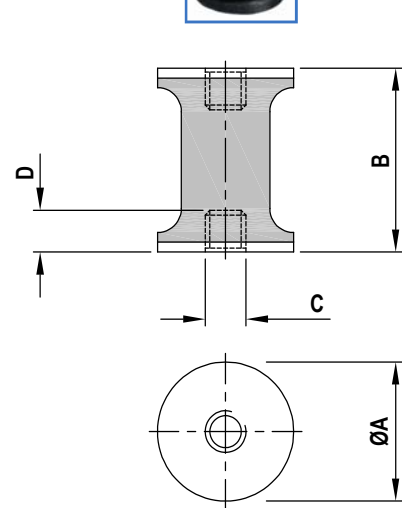
## Type Special Variants



TYPE 'A'



TYPE 'B'



TYPE 'C'

	PART No.	RUBBER SHORE HARDNESS	MAX LOAD / DEFLECTION				DIMENSIONS (mm)				WEIGHT (kg) MAX
			COMPRESSION		SHEAR		A	B	C	D	
			kg	mm	kg	mm					
TYPE 'A'	60.400	45	8.0	1.2	7.0	6.5	21	19.0	M8	20	0.03
		60	16.0	1.2	7.0	2.8					
	60.401	45	17.0	2.0	9.0	7.0	32	26.4	M8	16	0.05
TYPE 'B'	60.500	45	8.6	1.2	-	-	20	15	M6	18	0.02
		60	11.6	1.2	-	-					
	60.501	45	11.8	1.0	-	-	30	20	M8	20	0.04
TYPE 'C'	60.600	45	-	-	-	-	30	20	M8	8	0.03
		60	-	-	-	-					
	60.601	45	-	-	-	-	40	48	M8	8	0.18
TYPE 'B'	60.502	45	-	-	-	-	40	48	M8	23	0.14
		60	-	-	-	-					
	60.503	45	-	-	-	-	50	30	M10	33	0.08
TYPE 'C'	60.602	45	-	-	-	-	50	30	M10	10	0.15
		60	-	-	-	-					
	60.603	45	-	-	-	-	75	40	M12	12	0.39
TYPE 'B'	60.504	45	-	-	-	-	75	40	M12	37	0.47
		60	320.0	5.0	-	-					
	60.505	45	-	-	-	-	100	55	M16	45	0.98
TYPE 'C'	60.603	45	-	-	-	-	75	40	M12	12	0.39
		60	-	-	-	-					
	60.604	45	-	-	-	-	100	55	M16	16	0.93

All parts are manufactured from first grade natural rubber with steel metals, zinc plated on exposed surfaces.

Bobbin mountings should not be used in tension or exposed to contamination by mineral oils.

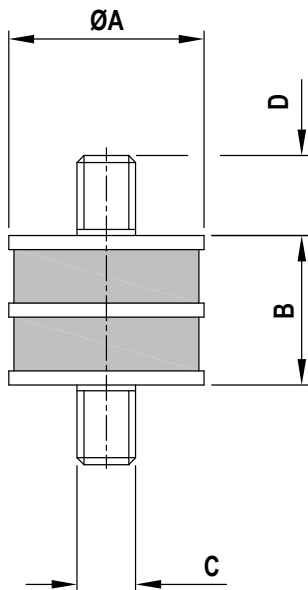
Suffix part no. with .45 or .60 to indicate rubber hardness.

Not all parts listed above are available Ex-Stock. Minimum order quantities may apply.

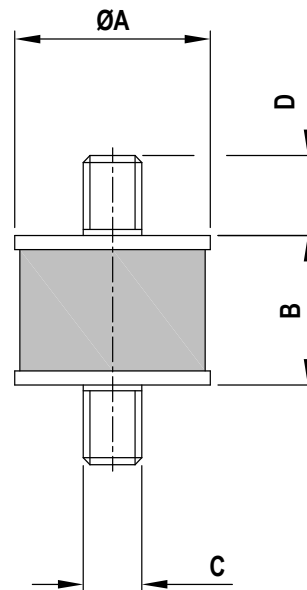


## Vibration & Shock Control

## BOBBINS TYPE SPECIAL VARIANTS



**WITH INTERLEAF  
(61.101 & 61.103)**



**WITHOUT INTERLEAF  
(61.102 & 61.104)**

PART No.	RUBBER SHORE HARDNESS	MAX LOAD / DEFLECTION				DIMENSIONS (mm)				STEEL INTERLEAF	WEIGHT (kg) MAX
		COMPRESSION		SHEAR		A	B	C	D		
		kg	mm	kg	mm						
61.101	45 60	125 225	2.8 2.8	65 87	15.0 10.5	57	36.6	M10	25	YES	0.34
61.102	45 60	60 125	2.8 2.8	60 115	16.0 16.0	57	36.6	M10	25	NO	0.24
61.103	45 60	290 580	2.8 2.8	90 138	15.0 11.5	75	36.6	M10	25	YES	0.48
61.104	45 60	125 225	2.8 2.8	105 162	16.0 12.5	75	36.6	M10	25	NO	0.38

All parts are manufactured from first grade natural rubber with steel metals, zinc plated on exposed surfaces. Part No's 61.101 & 61.103 have a steel interleaf for increased load capacity.

Bobbin mountings should not be used in tension or exposed to contamination by mineral oils.

**Suffix part no. with .45 or .60 to indicate rubber hardness.**

**Not all parts listed above are available Ex-Stock. Minimum order quantities may apply.**

**For full installation instructions please refer to our data sheet DS023.**

**For more detailed information and technical assistance please contact our Technical Department.**

In the interests of continual development, the Company reserves the right to make modifications to these details without notice.



**Christie & Grey Limited**

Morley Road, Tonbridge, Kent TN9 1RA, England

Telephone : +44 (0) 1732 371100 • Fax: +44 (0) 1732 359666

E-mail : sales@christiegrey.com • web site: www.christiegrey.com

