

# Acoustic Ceiling Hangers

Type ACH



Designed specifically for applications where audible noise attenuation is of most concern, the ACH offers a low cost alternative to larger more traditional spring and rubber hangers.

Primarily used to effectively decouple mass acoustic ceilings from the supporting building structure - thus preventing noise breakout or break-in.

The ACH may also be used to reduce noise transmission from air conditioning equipment suspended in the ceiling void.

## DESIGN FEATURES

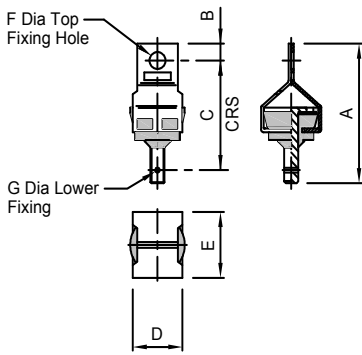
- High resilience first grade natural rubber elements with deflections up to 3.5 mm.
- Available in two sizes for loads from 5 kg to 100 kg.
- Typical force isolation at maximum load of 40 dB to 46 dB @ 125 Hz .
- Integral failsafe steel overload washers.
- All steel components are zinc plated.
- Capable of 15° angular misalignment.
- Can be fitted into a wire tie, drop rod or a strut type support to an acoustic ceiling.

## TYPICAL APPLICATIONS

- Acoustic Ceilings.
- Pipework.
- Axial Fans and Fan Coil Units.
- Ductwork and Attenuators.
- Air Conditioning Equipment.

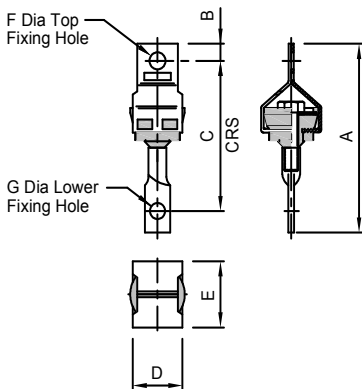
## TYPE ACH ACOUSTIC CEILING HANGERS

### TYPE ACH20

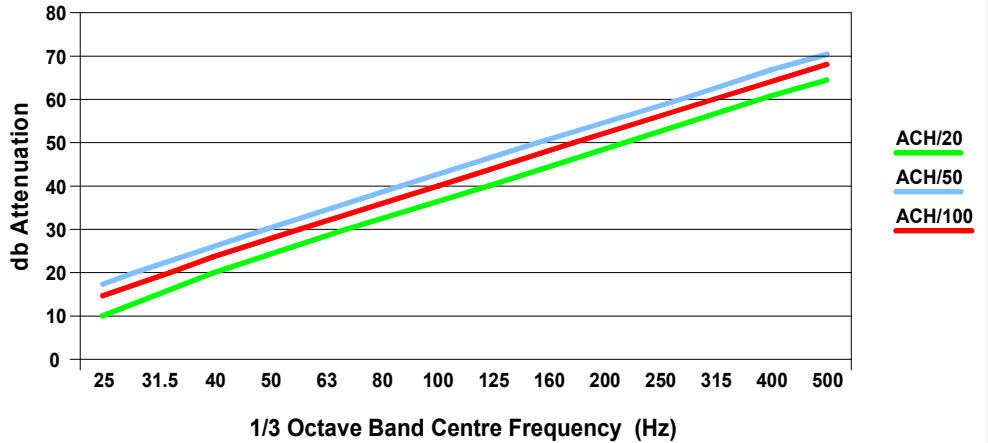


PART No.	RATED LOAD (kg)	DEFLECTION AT RATED LOAD (mm)	DIMENSIONS (mm)							WT (kg) MAX
			A	B	C	D	E	F	G	
ACH20	20	2	74	9	58	28	35	9	2.6	0.15
ACH / 20 / SF	20	2	100	9	83	28	35	9	8.5	0.11
ACH / 50	50	3.5	153	15	125	40	55	11	11	0.3
ACH / 100	100	3.5	153	15	125	40	55	11	11	0.3

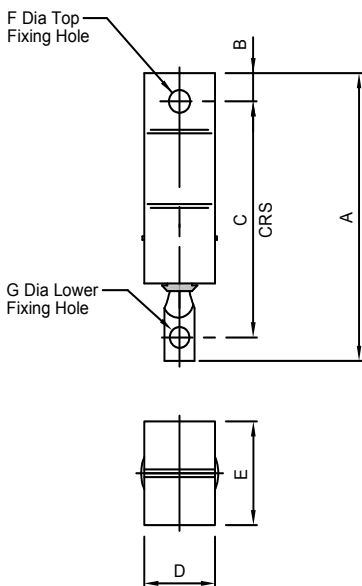
### TYPE ACH / 20 / SF



### Structural Force Attenuation of Type ACH Acoustic Ceiling Hanger



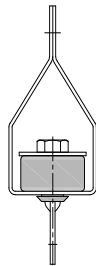
### TYPE ACH / 50 AND ACH / 100



**ACH / 50  
ACH / 100**

#### Standard Variant

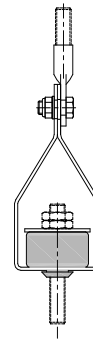
Top Fixing - Suitable for Flat Strapping  
Bottom Fixing - Suitable for Flat Strapping



**ACH / 50 / M10  
ACH / 100 / M10**

#### M10 Drop Rod Variant

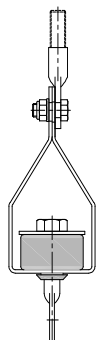
Top Fixing - Suitable for M10 Drop Rod  
Bottom Fixing - Suitable for M10 Drop Rod



**ACH / 50 / M10 / FS  
ACH / 100 / M10 / FS**

#### M10 Drop Rod & Flat Strap Variant

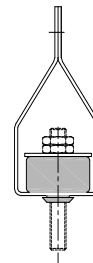
Top Fixing - Suitable for M10 Drop Rod  
Bottom Fixing - Suitable for Flat Strapping



**ACH / 50 / NFS  
ACH / 100 / NFS**

#### Flat Strap & M10 Drop Rod Variant

Top Fixing - Suitable for Flat Strapping  
Bottom Fixing - Suitable for M10 Drop Rod



For full installation instructions please refer to our data sheet DS086.

For more detailed information and technical assistance please contact our Technical Department.

In the interests of continual development, the Company reserves the right to make modifications to these details without notice.



## Christie & Grey Limited

Morley Road, Tonbridge, Kent TN9 1RA, England

Telephone : +44 (0) 1732 371100 • Fax: +44 (0) 1732 359666

E-mail : sales@christiegrey.com • web site: www.christiegrey.com

