

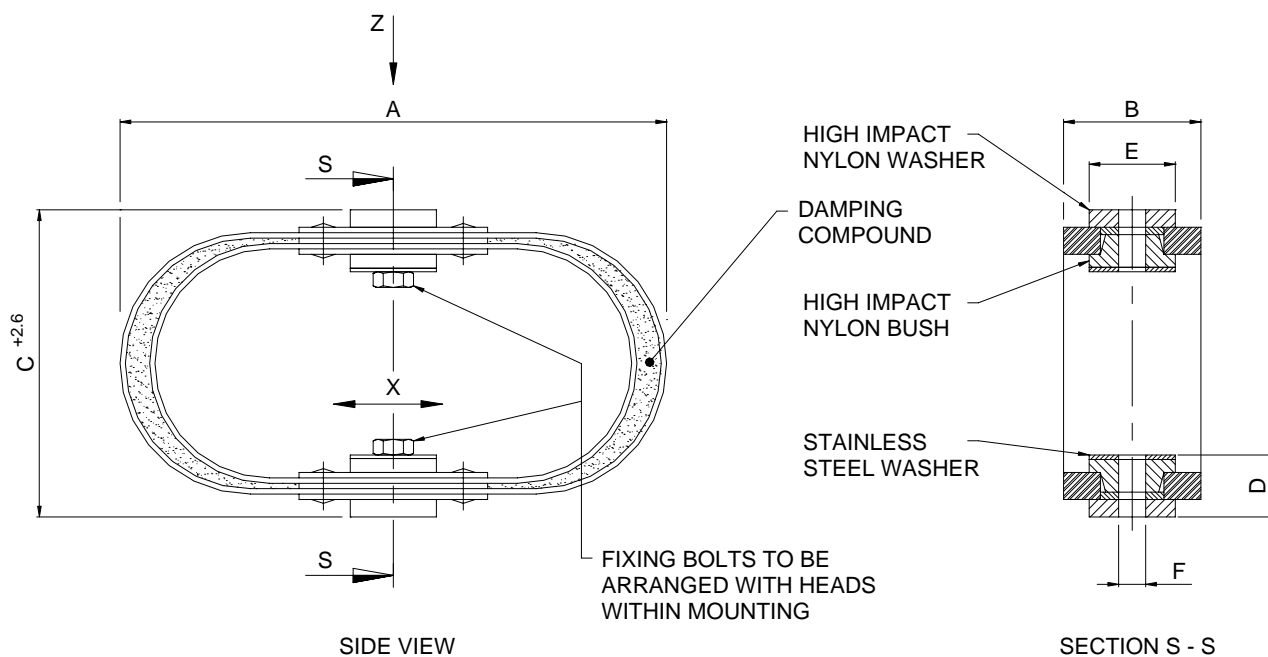
# TECHNICAL DATA SHEET DS 016

NON CONTROLLED UNLESS STATED OTHERWISE

QCF 56 Issue 3

PAGE	1 of 1
ISSUE	10
DATE	25 November 2010
APPROVED	A.N.M

TITLE: Dimensional details of mounting type X ( to MOD (N) shock manual BR3021 volume 2).



Nato Stock No.	Nom Load (kg)	Load Range (kg)	Dimensions (mm)						Bolt Size F	Wt each (kg)	Stiffness (N/mm)		
			A	B	C Loaded	C Free	D	E			Vertical Z	Lateral X Y	
5340-99-665-3921	6	4.8-7.2	133.5	25	70	82	15	19	M6	0.14	5.91	3.25	7.68
5340-99-923-5717	10	9-15	203	51	106	114	23	32	M8	0.7	13	7	17
5340-99-923-5718	20	18-34	203	51	106	114	23	32	M8	0.8	26	14	34
5340-99-923-5719	45	34-54	216	51	124	133	26	32	M12	1.0	44	24	58
5340-99-923-5720	70	54-91	216	51	124	133	26	32	M12	1.1	70	39	91
5340-99-923-5721	110	91-136	216	51	124	133	26	32	M12	1.3	120	61	149
5340-99-520-8429	180	136-250	297	102	185	190	43	64	M20	5.9	350	175	665
5340-99-520-8428	320	250-386	297	102	185	190	43	64	M20	6.6	500	219	788
5340-99-520-8427	450	386-545	297	102	185	190	43	64	M20	7.3	875	385	1400

For installation instructions with or without mounting soleplates see Data Sheet DS 038.  
For details of soleplates see Christie & Grey drawing No. S077.

+2.6mm ALLOWABLE TOLERANCE ON DIMENSION 'C' FREE HEIGHT.

Important! When directly bulkhead mounted, the load range is to be reduced by 0.5



**Christie & Grey Limited**

Morley Road, Tonbridge, Kent TN9 1RA, England

Telephone : +44 (0) 1732 371100 • Fax: +44 (0) 1732 359666

E-mail : sales@christiegrey.com • web site: www.christiegrey.com

